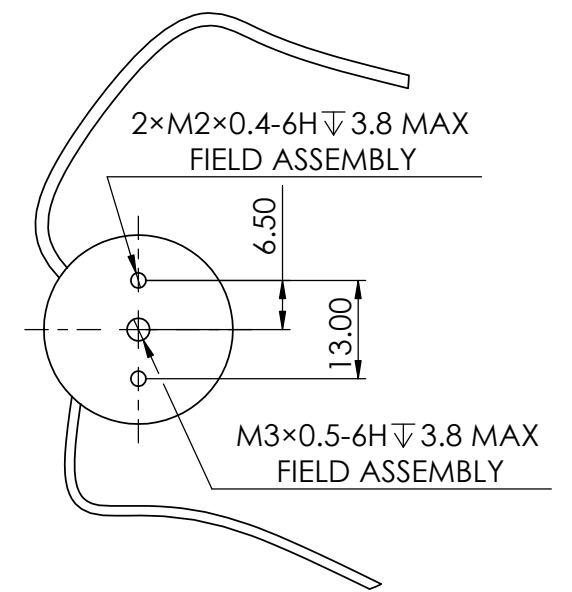
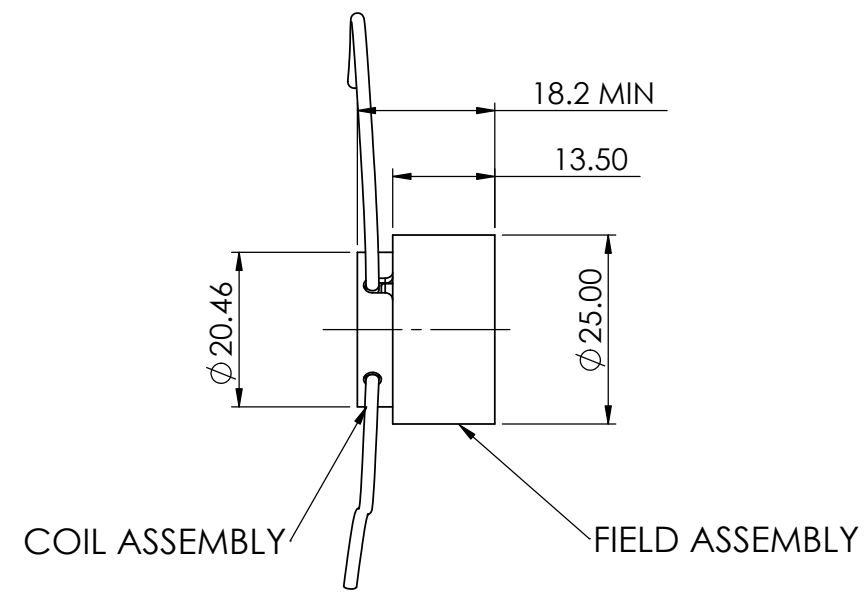
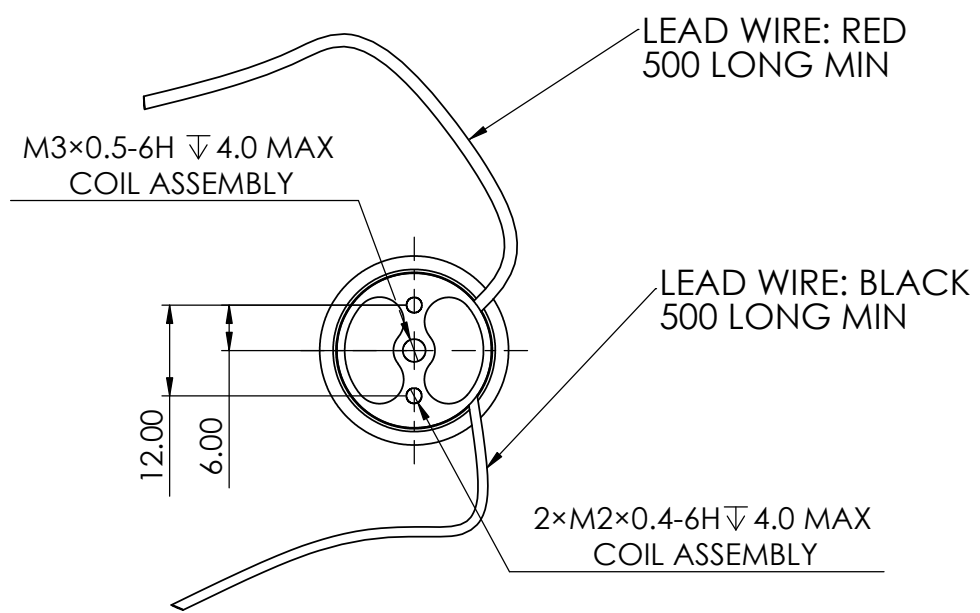
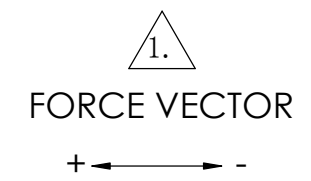
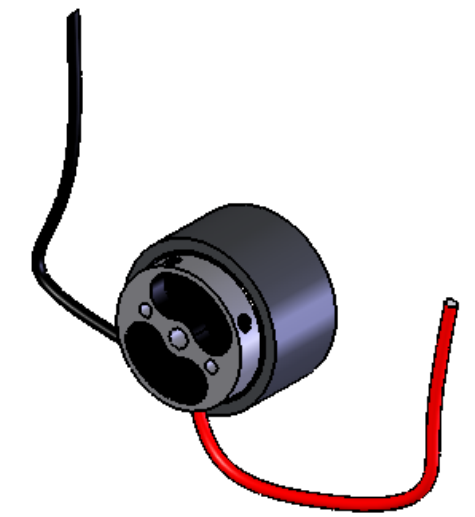


WINDING CONSTANT	TOL	SYM	VALUE	UNITS
DC RESISTANCE	± 10%	R	9.05	OHMS
VOLTAGE @ Fp	NOMINAL	Vp	15.7	VOLTS
CURRENT @ Fp	NOMINAL	Ip	1.74	AMPS
FORCE SENSITIVITY	± 7.5%	Kf	3.57	N / A
BACK EMF CONSTANT	NOMINAL	Kb	3.57	V/M/Sec
INDUCTANCE*****	± 30%	L	0.9	mH

ACTUATOR PARAMETER	SYM	VALUE	UNITS
PEAK FORCE *	Fp	6.2	N
CONTINUOUS FORCE **	Fc	2.6	N
CONTINUOUS FORCE WITH HEAT SINK	Fc	4.57	N
ACTUATOR CONSTANT	Ka	1.19	N/√w
ELECT TIME CONSTANT	Te	0.099	milli-sec
POWER I ² R@Fp	Pp	27.3	W
TOTAL STROKE	S	5.0	mm
CLEARANCE ON SIDE OF COIL	CL	0.5	mm
THERMAL RESISTANCE ***	θth	26.04	C / W
THERMAL RESISTANCE WITH HEAT SINK****	θth	8.46	C / W
MAX WINDING TEMP	Tmax	150	C
WEIGHT OF COIL ASSEMBLY	WTc	8.24	g
WEIGHT OF FIELD ASSEMBLY	WTf	39.56	g
WEIGHT OF ACTUATOR	WTa	47.8	g

* 10 sec @ 25C ambient, 150C coil temp.
 ** 25C ambient, 150C coil temp.
 *** In free air.
 **** Measured with 250×250×10mm heat sink.
 ***** Measured with BK PRECISION 875B.

REV	ECO NO.	DESCRIPTION	DRN	APP'D	Q.A	DATE
X1	---	INITIAL RELEASE	WYG	FCL		06/08/13
X2	100040	UPDATE DATA SHEET	WYG	FCL		06/09/29



2.INSULATION RESISANCE:100 MEGOHMS MINIMUM AT 500 VDC.
 1. A POSITIVE(+) VOLTAGE APPLIED TO RED LEAD WILL PRODUCE A FORCE ON THE COIL ASSEMBLY IN POSITIVE (+) DIRECTION.

NOTES:UNLESS OTHERWISE SPECIFIED

UNLESS OTHERWISE SPECIFIED:		NAME	DATE	Suzhou, China
DIMENSIONS ARE IN MM TOLERANCES: ANGULAR: MACH ±0° 30' ONE PLACE DECIMAL ±0.25 TWO PLACE DECIMAL ±0.1		DRAWN	WYG 06-08-13	
PROPRIETARY AND CONFIDENTIAL THE INFORMATION CONTAINED IN THIS DRAWING IS THE SOLE PROPERTY OF USAS MOTION - SUZHOU, CHINA. ANY REPRODUCTION IN PART OR AS A WHOLE WITHOUT THE WRITTEN PERMISSION OF USAS MOTION - SUZHOU, CHINA IS PROHIBITED.		CHECKED		TITLE: <h1>LINEAR ACTUATOR</h1>
		ENG APPR.	FCL 06-08-13	
INTERPRET GEOMETRIC TOLERANCING PER: ANSI Y14.5M-1982.		MFG APPR.		
		Q.A.		
DO NOT SCALE DRAWING		COMMENTS:		SIZE B DWG. NO. VLR0006-0050-00A REV X2
				SCALE: 1: 1 SHEET 1 OF 1